

Available with
Anti-Fringing & **Dual AR**
Back-Thinned Extended Range
Technology



Spectroscopy

Features and Benefits

- **Peak QE up to 95%**
Visible-optimized 'BV/BVF', infrared-optimized 'BR-DD' and broadband UV-NIR 'BEX2-DD' model
- **Fringe suppression technology as standard**
Fringing greatly reduced (Deep-Depletion) or minimized (Back-Thinned 'BVF')
- **Extended range dual-AR option**
Superior UV-NIR broadband QE
- **TE cooling down to -100°C**
Critical for elimination of dark current detection limit - no inconvenience associated with LN₂
- **Ultravac™**
Critical for sustained vacuum integrity and to maintain unequalled cooling and QE performance, year after year
- **Multi-Megahertz Readout**
High repetition rates achievable with low noise electronics
- **Crop Mode Operation**
Up to 1,600 spectra per second rates
- **Single UV-grade fused silica window**
Best UV-NIR throughput performance, specific AR coating and wedge options available
- **Down to 13.5 x 13.5 µm pixels**
Optimized format for high resolution spectroscopy
- **Software-selectable pre-amplifier gain**
Choice of best SNR performance or dynamic range at the touch of a button
- **USB 2.0 connection**
Ideal for laptop operation
Seamless operation alongside USB-based Shamrock spectrograph family
- **Solis software for Spectroscopy**
Comprehensive, user-friendly interface for simultaneous detector & spectrograph control
- **Software Development Kit (SDK)**
Ease of control integration into complex setups: Matlab, Labview, Visual Basic or C/C++

Spectroscopy at Pace

The high-end USB 2.0 Newton CCD series brings together Andor's ultra fast, low-noise electronics platform and market-leading deep thermo-electric cooling to -100°C, complemented by Andor's Ultravac™ technology with its un-matched reliability track record in the scientific and industrial communities.

Broadband detection rates of up to 1,600 spectra per second are enabled with intelligent Crop Mode operation. The Newton CCD is an ideal tool for ultrafast UV, VIS or NIR spectroscopy (or all the above with the Dual AR-coating BEX2-DD technology), such as 2D chemical mapping, online process monitoring or non-invasive medical diagnosis.

The Newton 940 series offers 13.5 x 13.5 µm pixels for the highest UV to VIS resolution spectroscopy, while the 920 series and its 26 x 26 µm offers the highest dynamic range for UV to NIR applications. Both > 6.6 mm high sensors are ideally suited for multi-track spectroscopy or hyper-spectral imaging.

Specifications Summary *1

Active pixels	1024 x 255 (1024 x 256 for Bx-DD model) or 2048 x 512
Pixel size (W x H)	26 x 26 or 13.5 x 13.5 µm
Image area	Up to 27.6 x 6.9 mm
Register well depth:	
Standard mode	1,000,000 e ⁻
High Capacity mode	600,000 e ⁻
High Sensitivity mode	150,000 e ⁻
Maximum cooling	-100°C
Maximum spectra per sec	1,612
Read noise	As low as 2.5 e ⁻
Dark current	As low as 0.0001 e ⁻ /pixel/sec

Key Specifications *1

Model number	DU920P	DU920P Bx-DD	DU940P
Sensor options	<ul style="list-style-type: none"> • BU: Back Illuminated CCD, UV-Enhanced, 350 nm optimized • BU2: Back Illuminated CCD, UV-Enhanced, 250 nm optimized • BVF: Back Illuminated CCD, Vis-optimized and anti-fringing • OE: Open Electrode CCD 	<ul style="list-style-type: none"> • BR-DD: Back Illuminated, Deep Depletion CCD with anti-fringing • BEX2-DD: Back Illuminated, Deep Depletion CCD with anti-fringing, extended range dual AR coating 	<ul style="list-style-type: none"> • BU: Back Illuminated CCD, UV-Enhanced, 350 nm optimized • BU2: Back Illuminated CCD, UV-Enhanced, 250 nm optimized • BV: Back Illuminated CCD, Vis-optimized • FI: Front Illuminated CCD • UV: Front Illuminated CCD with UV coating
Active pixels *2	1024 x 255	1024 x 256	2048 x 512
Pixel size	26 x 26 µm	26 x 26 µm	13.5 x 13.5 µm
Image area	26.7 x 6.7 mm with 100% fill factor	26.7 x 6.7 mm with 100% fill factor	27.6 x 6.9 mm with 100% fill factor
Minimum temperatures *3			
Air cooled		-80°C	
Coolant recirculator		-95°C	
Coolant chiller, coolant @ 10°C, 0.75 l/min		-100°C	
Max spectra per second *4	144 (OE - Full Vertical Bin) 273 (Full Vertical Bin) 1,149 (OE - Crop Mode - 20 rows) 1,612 (Crop Mode - 20 rows)	272 (Full Vertical Bin), 1,587 (Crop Mode - 20 rows)	122 (Full Vertical Bin), 943 (Crop Mode - 20 rows)
System window type	BV, BVF, FI, UV, UVB, OE sensors: UV-grade fused silica, 'Broadband VUV-NIR', unwedged BR-DD sensor: UV-grade fused silica, 'VIS-NIR enhanced', wedged BEX2-DD sensor: UV-grade fused silica, 'Broadband VUV-NIR', wedged (Various AR coatings & MgF ₂ options available)		
Blemish specifications	Grade 1 sensor from supplier. Camera blemishes as defined by Andor Grade A http://www.andor.com/learning-academy/ccd-blemishes-and-non-uniformities-black-pixels-and-hot-pixels-on-a-ccd-sensor		

Advanced Specifications *1

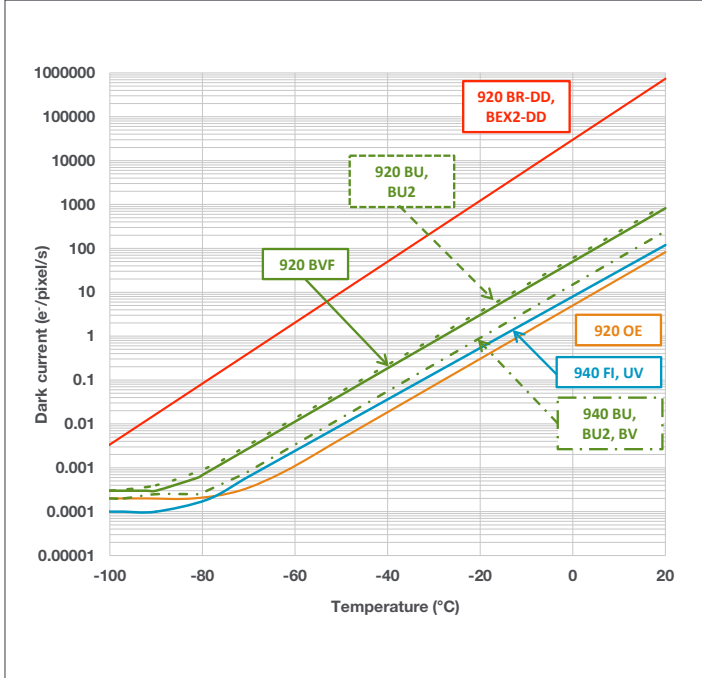
Dark current, e⁻/pixel/sec @ max cooling											
FI, OE, UV		0.0003				-			0.0001		
BU, BU2, BV, UVB		0.0003				-			0.0002		
BVF		0.0002				-			-		
Bx-DD		-				0.003			-		
Register well depth											
Standard mode		1,000,000 e ⁻				1,000,000 e ⁻			-		
High Sensitivity mode		-				-			150,000 e ⁻		
High Capacity mode		-				-			600,000 e ⁻		
Active area pixel well depth *5											
		BU, BU2, BVF: 400,000 e ⁻ OE: 300,000 e ⁻				650,000 e ⁻			BU, BU2, BV: 100,000 e ⁻ FI, UV: 140,000 e ⁻		
Read noise (e⁻) *6											
		50 kHz	1 MHz	3 MHz		50 kHz	1 MHz	3 MHz	50 kHz	1 MHz	3 MHz
Standard mode: Typ (Max)		4 (8)	12 (18)	20 (30)		4 (8)	12 (15)	15 (30)	-	-	-
High Sensitivity mode: Typ (Max)		-	-	-		-	-	-	2.5 (4)	7 (12)	11 (15)
High Capacity mode: Typ (Max)		-	-	-		-	-	-	9 (12)	27 (32)	40 (56)
Sensitivity (e⁻/count)											
Standard mode		Adjustable from 2.5 - 10				Adjustable from 2.5 - 10			-		
High Sensitivity mode		-				-			Adjustable from 1 - 4		
High Capacity mode		-				-			Adjustable from 4 - 16		
Linearity *7											Better than 99%
Digitization											16 bit
Vertical clock speed *8											Software selectable between 2 - 179 µs

Have you found what you are looking for?

Need to work further into the NIR? The iDus InGaAs series, with up to 1024 pixel linear array with transmission to 2.2 µm.
Need a customized version? Please contact us to discuss our Customer Special Request options.

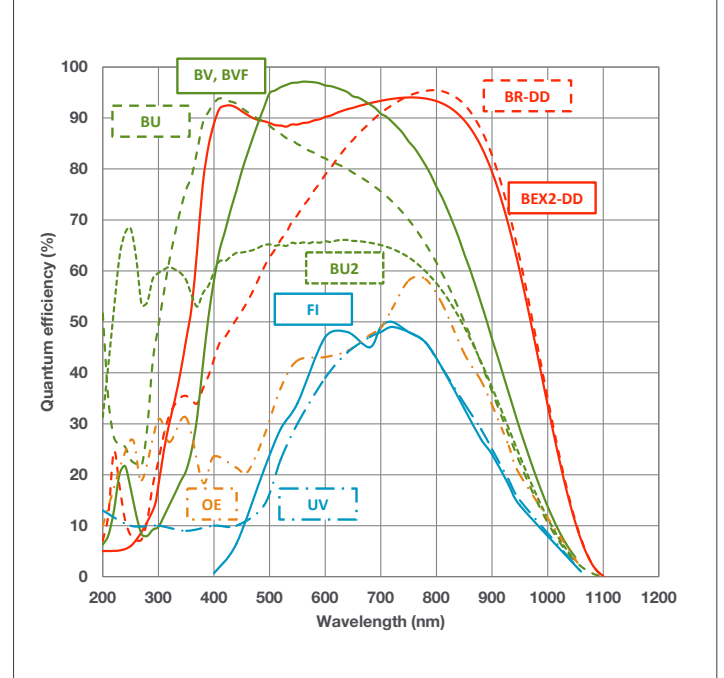
The Newton series combines seamlessly with Andor's research grade Shamrock Czerny-Turner spectrographs.

Dark Current ^{*9}

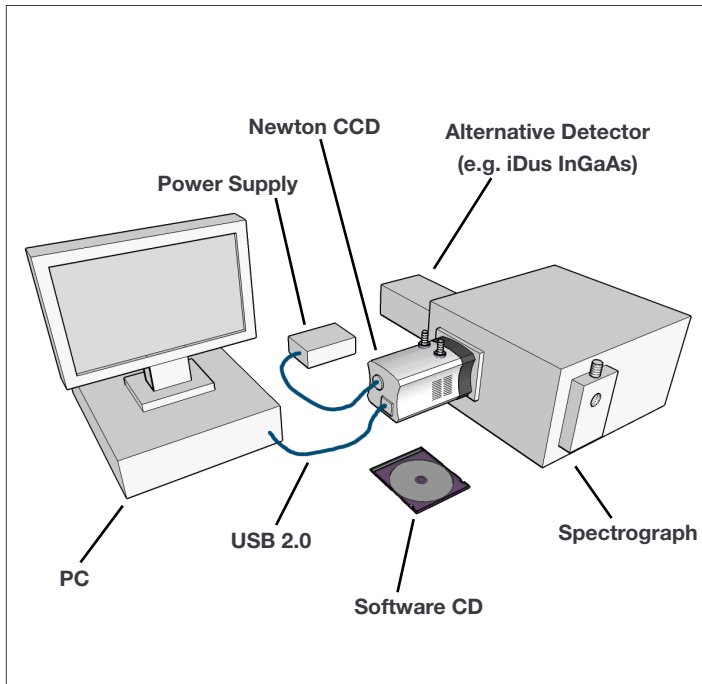


Quantum Efficiency Curves ^{*10}

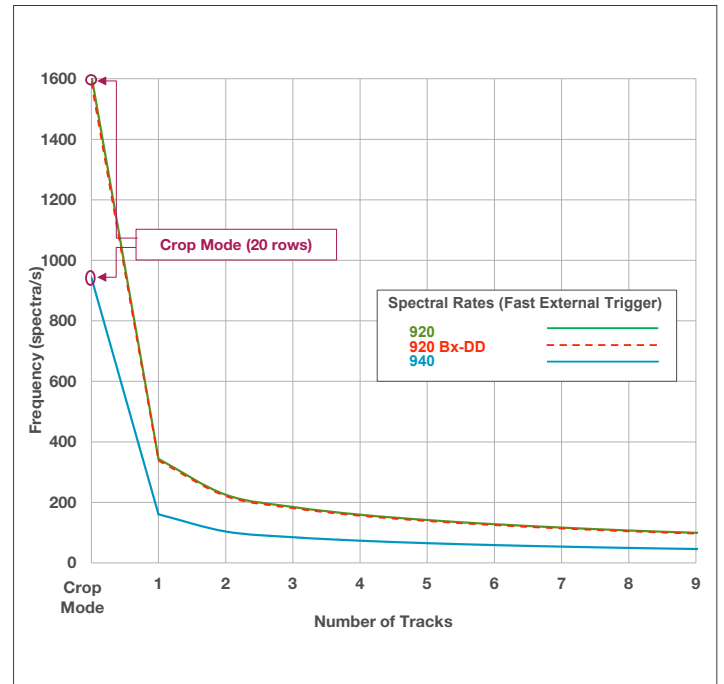
25°C



Typical Setup



Readout Rate & Speed ^{*11}

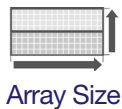


Creating the Optimum Product for you



DU 940 P- BV
example shown

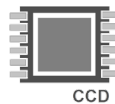
Step 1. Choose the sensor array size



Array Size

Description	Code
1024 x 255 array	920
1024 x 255 array (BxDD)	920
2048 x 512 array	940

Step 2. Choose the sensor type option



Sensor Type

Description	Code
Back Illuminated CCD, Vis-optimized	BV
Back Illuminated CCD, Vis-optimized and anti-fringing	BVF
Back Illuminated, Deep Depletion CCD with fringe suppression and extended range dual AR coating	BEX2-DD
Back Illuminated, Deep Depletion CCD with fringe suppression	BR-DD
Front Illuminated CCD	FI
Back Illuminated CCD, Blue optimized AR coating	BU
Back Illuminated CCD, AR coated for optimized performance in the 250 nm region	BU2
Front Illuminated CCD with UV coating	UV
Open Electrode CCD	OE

Step 3. Select an alternative camera window (optional)

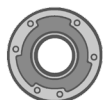


Camera Window

The standard window has been selected to satisfy most applications. However, other options are available. The alternative camera window code must be specified at time of ordering.

To view and select other window options please refer to the '[Camera Windows Supplementary Specification Sheet](#)' which gives the transmission characteristics, product codes and procedure for entering the order. Further detailed information on the windows can be found in the Technical note – '[Camera Windows: Optimizing for Different Spectral Regions](#)'.

Step 4. Select the required accessories and adapters



Accessories & Adapters

Description	Order Code
Coolant re-circulator for enhanced cooling performance	XW-RECR
Oasis 160 Ultra Compact Chiller Unit (tubing to be ordered separately)	ACC-XW-CHIL-160
6 mm tubing option for ACC-XW-CHIL-160	ACC-6MM-TUBING-2xxxxM
C-mount lens adaptor	LM-C
F-mount lens adaptor	LM-NIKON-F
Nikon F-mount lens adaptor with shutter	LMS-NIKON-F-NS25B
Shutter Driver for NS25B Bistable Shutter (<u>not</u> needed for Shamrock spectrographs)	ACC-SD-VDM1000
Bistable Shutter, Standalone (<u>not</u> needed for Shamrock spectrographs)	ACC-SHT-NS25B

Spectrograph Compatibility

The Newton series is fully compatible with Andor's Shamrock spectrograph (163 - 750 nm focal lengths) family. Spectrograph mounting flanges and software control are available for a wide variety of 3rd party spectrographs including, McPherson, JY/ Horiba, PI/Acton, Chromex/Bruker, Oriol/Newport, Photon Design, Dongwoo, Bentham, Solar TII and others.

Step 5. Select the required software



Software

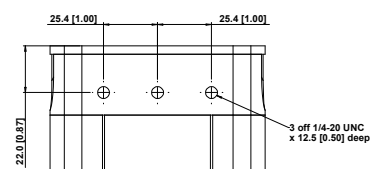
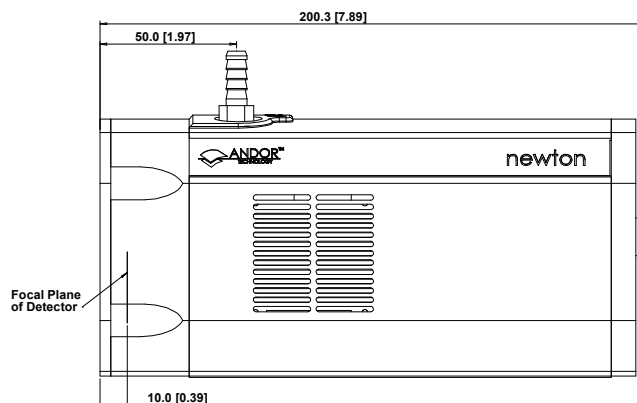
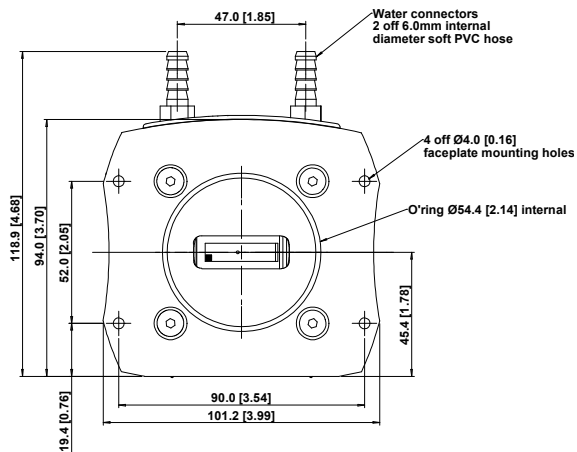
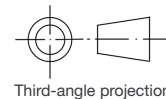
The Newton CCD requires at least one of the following software options:

Solis for Spectroscopy A 32-bit and fully 64-bit enabled application for Windows (7, 8 and 10) offering rich functionality for data acquisition and processing. AndorBasic provides macro language control of data acquisition, processing, display and export. Control of Andor Shamrock spectrographs and a very wide range of 3rd party spectrographs is also available, see list above.

Andor SDK A software development kit that allows you to control the Andor range of cameras from your own application. Available as 32 and 64-bit libraries for Windows (7, 8 and 10) and Linux. Compatible with C/C++, C#, Delphi, VB6, VB.NET, LabVIEW and Matlab.

Product Drawings

Dimensions in mm [inches]



■ = position of pixel 1,1

Weight: 2.7 kg [5 lb 15 oz]

Connecting to the Newton

Camera Control

Connector type: USB 2.0

TTL / Logic

Connector type: SMB, provided with SMB - BNC cable

1 = Fire (Output), 2 = External Trigger (Input), 3 = Shutter (Output)

I²C connector

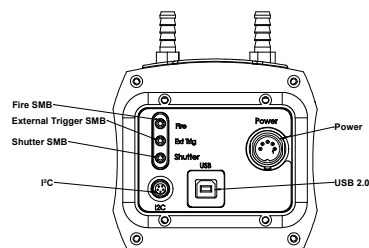
Compatible with Fischer SC102A054-130

1 = Shutter (TTL), 2 = I²C Clock, 3 = I²C Data, 4 = +5 Vdc, 5 = Ground

Minimum cable clearance required at rear of camera

90 mm

Mounting hole locations



Rear connector panel

Applications Guide

	BU/ BU2 models	BV models	BVF models	BR-DD models	BEX2-DD models	FI models	OE models	UV models
Absorption/Transmittance/Reflection	○	●	●	○	○	○	○	○
Atomic Emission Spectroscopy	○	●	●	○	○	○	○	○
Fluorescence & Luminescence	○	●	●	○	○	○	○	○
NIR Spectroscopy				●	○	○	○	○
Raman Spectroscopy (244 – 488 nm)	●	○	○				○	○
Raman Spectroscopy (514, 531, 633 nm)	○		●	○	○	○	○	○
Raman Spectroscopy (785, 830 nm)				●	○	○	○	○
UV-VIS-NIR broadband spectroscopy					●		○	○

○ = Suitable

● = Optimum



Order Today

Need more information? At Andor we are committed to finding the correct solution for you. With a dedicated team of technical advisors, we are able to offer you one-to-one guidance and technical support on all Andor products. For a full listing of our local sales offices, please see: andor.com/contact

Our regional headquarters are:

Europe

Belfast, Northern Ireland
Phone +44 (28) 9023 7126
Fax +44 (28) 9031 0792

Japan

Tokyo
Phone +81 (3) 6732 8968
Fax +81 (3) 6732 8939

North America

Concord, MA, USA
Phone +1 (860) 290 9211
Fax +1 (860) 290 9566

China

Beijing
Phone +86 (10) 8271 9066
Fax +86 (10) 8271 9055

Items shipped with your camera:

- 1x 2m BNC - SMB connection cable
- 1x 3m USB 2.0 cable Type A to Type B
- 1x Set of Allen keys (7/64", 3/32" & 3 mm)
- 1x Power supply with mains cable
- 1x Quick launch guide
- 1x CD containing Andor user guides
- 1x Individual system performance booklet
- 1x CD containing either Solis software or SDK (if ordered)

Footnotes: Specifications are subject to change without notice

1. Figures are typical unless otherwise stated.
2. Edge pixels may exhibit a partial response.
3. Cooling is provided by the use of an external mains driven power supply. Minimum temperatures listed are typical values with ambient temperature of 20°C. Systems are specified in terms of minimum dark current achievable rather than absolute temperature.
4. Based on horizontal pixel readout rate of 3 MHz and a vertical shift speed of 12.9 μ s (920 models), 14.5 μ s (940 models) and 25.7 μ s (OE model). Achievable spectral rates will vary with selected trigger mode. Due to the nature of the Open Electrode sensor, the minimum Vertical Shift Speed (VSS) available is 25.7 μ s, which will produce a lower maximum spectral rate compared to other models in the series.
5. Shown for High Capacity mode. For high sensitivity mode the measurable well depth value will be lower, as a result of the combination of higher sensitivity values and A/D 16 bits digitization.
6. Readout noise is for the entire system. It is a combination of CCD readout noise and A/D noise. Measurement is for Single Pixel readout with the CCD at a temperature of -80°C and minimum exposure time under dark conditions. Noise values will change with readout mode.
7. Linearity is measured from a plot of counts vs exposure time under constant photon flux up to the saturation point of the system.
8. Vertical speeds are software selectable. All sensors are designed to give optimum Charge Transfer Efficiency (CTE) at 12.9 μ s (920 models), 14.5 μ s (940 models) and 25.7 μ s (OE model) vertical pixel shift, some decrease in CTE may be observed at faster shift speeds.
9. The graph shows typical dark current level as a function of temperature. The dark current measurement is averaged over the CCD area excluding any regions of blemishes.
10. Quantum efficiency of the sensor as supplied by the sensor manufacturer
11. The chart shows the maximum possible readout rates available when using Multi-track mode, each track being defined as 20 rows. Crop mode is a specific single-track readout method optimized for rapid kinetic-type acquisition.



Minimum Computer Requirements:

- 3.0 GHz single core or 2.4 GHz multi core processor
- 2 GB RAM
- 100 MB free hard disc to install software (at least 1 GB recommended for data spooling)
- USB 2.0 High Speed Host Controller capable of sustained rate of 40 MB/s
- Windows (7, 8 and 10) or Linux

Operating & Storage Conditions

- Operating Temperature: 0°C to 30°C ambient
- Relative Humidity: < 70% (non-condensing)
- Storage Temperature: -25°C to 50°C

Power Requirements

- 100 - 240 VAC, 50 - 60 Hz
- Power consumption: 48W max



Windows is a registered trademark of Microsoft Corporation. Labview is a registered trademark of National Instruments. Matlab is a registered trademark of The MathWorks Inc.